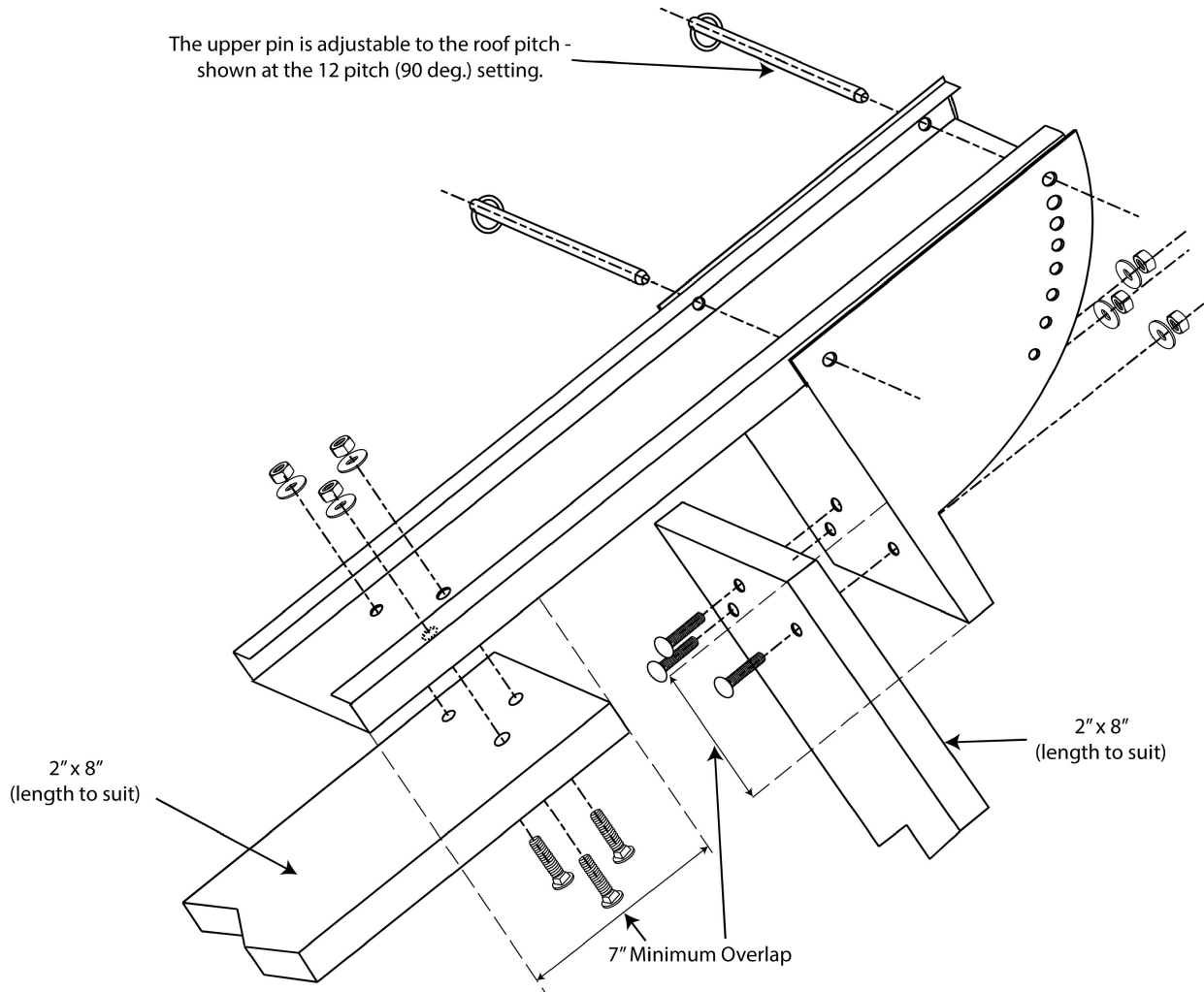




# Setup Guide



**Two videos and more information at:**  
[WWW.ultimateridgehook.com](http://WWW.ultimateridgehook.com)

(Note: Our faspins now come with a "spring ball" end to replace and eliminate the cotter shown in the videos.)

**Important:** Irregular roof planes or pitches may require weighting both sides of the roof to prevent assembly "creep".



**Use the “UR keeper” carabiner to keep your faspins together when between jobs.**